

RBJ18000

4-Post Bridge Jacks

SKU# 5175032

18,000-Lb. Capacity, Rolling Bridge Jack

Questions? Contact Babco's Sales Team

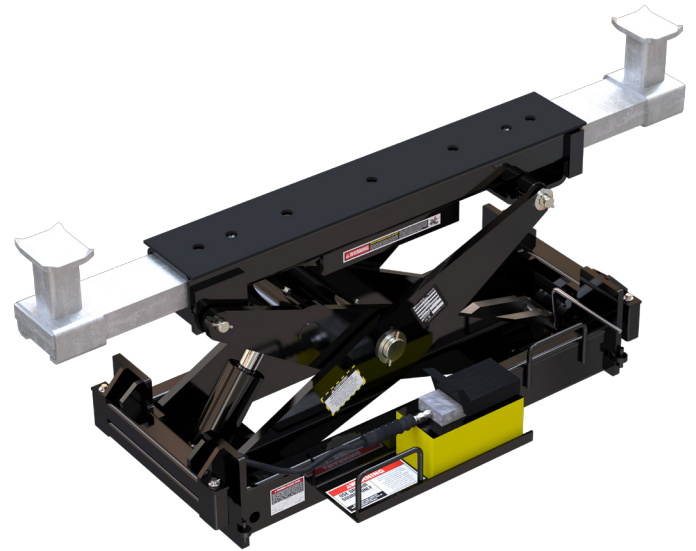
info@babco.ca | 1-800-661-5313

Heavy-Duty Bridge Jack

The powerful 18,000-lb. capacity RBJ18000 [rolling bridge jack](#) is made for use with your HDS35 or HDS40 4-Post series lift. Sometimes a vehicle's center of gravity that isn't in the exact middle of the vehicle.

Bridge Jack Series

SKU#	Model	Description
5175988	RBJ4500	4,500-lb Capacity
5175987	RBJ6000	6,000-lb Capacity
5175986	RBJ7000	7,000-lb Capacity
5175985	RBJ9000	9,000-lb Capacity
5175031	RBJ15000	15,000-lb Capacity
5175032	RBJ18000	18,000-lb Capacity
5175033	RBJ25000	25,000-lb Capacity



Features

- 18,000-lb. lifting capacity
- Optional steel lifting pads available
- High-pressure hydraulic power unit
- Optional air-line kit
- Stackable adapters

Specifications

Lifting Capacity	18,000 lbs. (8,165 kg)
Overall Width	44.9" (1,140 mm)
Arm Reach	39.5" - 63.5" (1,003 mm - 1,614 mm)
Top Adapter Reach	8.2" - 39.7" (208 mm - 1,008 mm)
Wheel Assembly Depth	19.6" (499 mm)
Overall Depth	24.4" (621 mm)
Shipping Weight	788 lbs. (358 kg)
Shipping Dimensions	36" x 22" x 21" (914 mm x 559 mm x 533 mm)

Commercial-grade air-hydraulic pump requires 125 psi and 10 – 20 CFM.